



800t crawler crane ZCC9800W

ZOOMLION

4.0
PRODUCTS

ZOOMLION
ZCC9800W

ZOOMLION

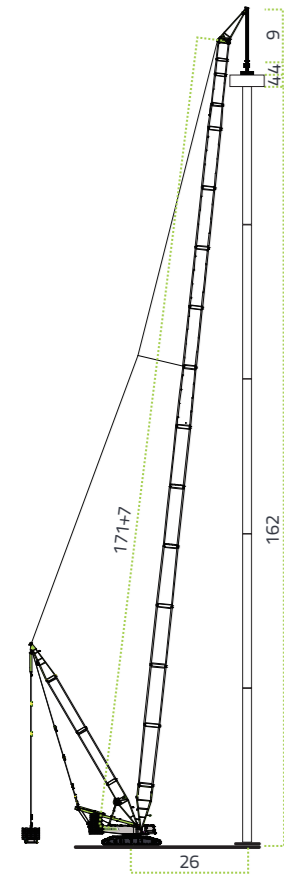
Zoomlion Heavy Industry Science & Technology Co.,Ltd.

Add: No.677, Lugu Road, Zoomlion Industrial Park, Changsha, Hunan, China, 410205

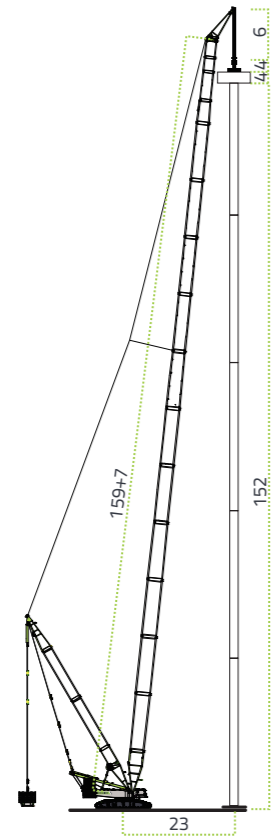
Copyright©2017 Zoomlion. All rights reserved. Reproduction and copying of any part of contents is not allowed for any purposes without Zoomlion's approval.



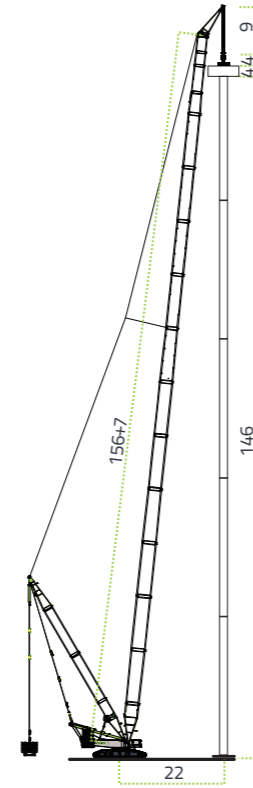
website.en.zoomlion.com



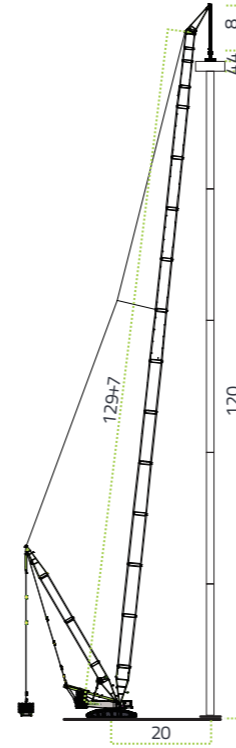
2MW Wind Power Turbine



2.65 MW Wind Power Turbine



3MW Wind Power Turbine



4MW Wind Power Turbine

Wind Power Turbine Type	Turbine Weight	Real lifting Weight	Lifting Max. Height (Turbine Vertical Height)	Crane Boom Length (Crane Max. Lifting Weight)
2MW	85T	95T	162M	171+7M (112T)
2.65MW	115T	126T	152M	159+7M (147T)
3MW	125T	136T	146M	156+7M (151T)
4MW	140T	152T	120M	129+7M (169T)

CONTENTS

ZCC9800W	TECHNICAL HIGHLIGHT	01
ZCC9800W	DIMENSIONS	02
ZCC9800W	MAIN TECHNICAL PARAMETERS	03-04
ZCC9800W	TECHNICAL DESCRIPTION	05-06
ZCC9800W	TRANSPORT DIMENSIONS AND WEIGHTS	07-18
ZCC9800W	LIFTING PERFORMANCE	19-29
ZCC9800W	SELF-HSSEMBLY SYSTEM	30-34



Efficient disassembling & assembling and transportation

The equipment installation can be completed within 15 h in case of the superlift mode.

The basic machine transportation weight is 40 t, satisfying the global road transportation requirements.

Wider construction application

It is designed with 12 working modes, covering wind power, thermal power generation, petrochemical, shipbuilding, metro, water conservancy, etc.

Convenient and efficient disassembling & assembling, available for global transportation

The equipment can be disassembled, transited and assembled for construction within 2 days. With the upper and lower structure split technology, its max. transport weight of single part is 40 t, and the longest configuration for wind power application can be transported only with 30 vehicles.

New intelligent functions and improved safety control

With the new functions such as crane equipment management, statistical reports, maintenance, fault alarm, equipment positioning and track playback functions at the mobile APP terminal, the equipment management level and operation efficiency are improved.

New and comfortable operator's cab

Full field of view, large operation space, all-around A/C vents, and comfortable and cool interior temperature. The switches and buttons are arranged in a centralized way within the reach of the operator's hand, easy to operate.

Stronger lifting capacity

Leading comprehensive lifting performance. Customized for wind power applications.

High safety and dependability

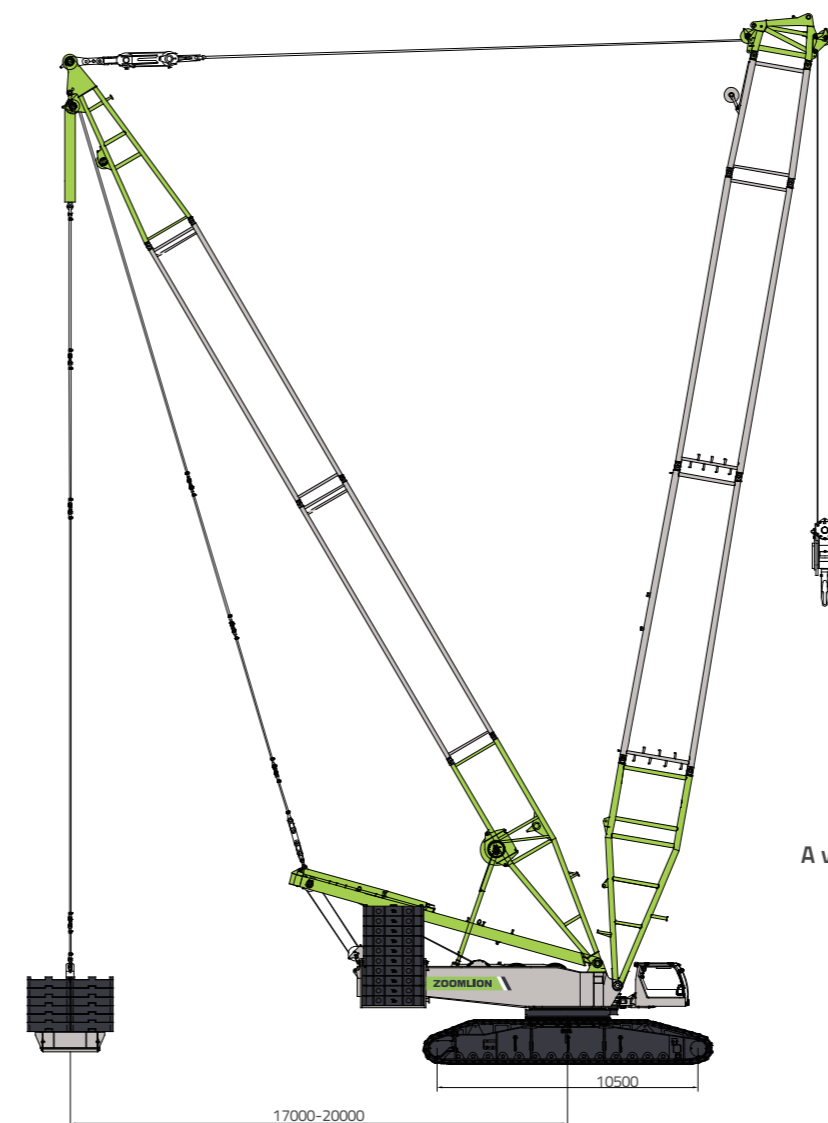
Imported configuration. Study on super long combined boom with multiple variable diameters. Multiple safety devices.

Comfortable control

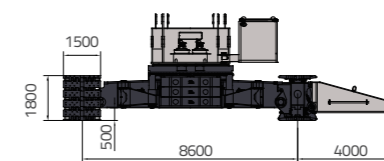
Spacious and comfortable, with broad field of view. The centralized arrangement of buttons brings accessible operation.

DIMENSIONS

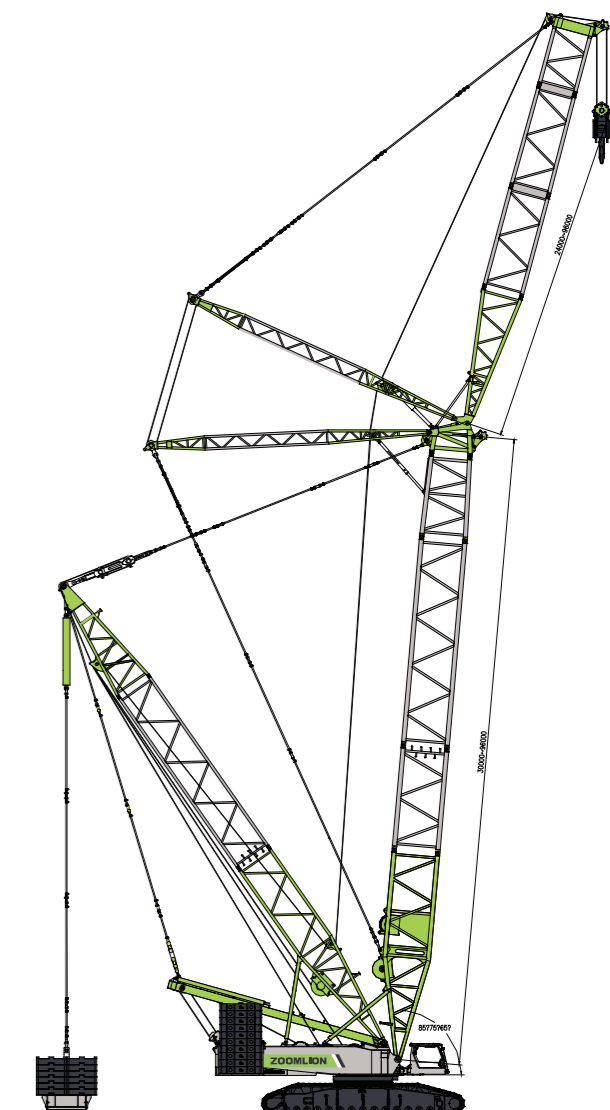
Basic machine with undercarriage



A view (crane with boom removed)



Overall dimensions of SWDB mode



MAIN TECHNICAL PARAMETERS

Item		Parameter
Max. load moment	t × m	9800
Main boom	Max. lifting capacity × radius t × m	600 × 7
	Heavy duty main boom m	39 ~ 93
	Light duty main boom m	72 ~ 114
Main boom + Superlift system	Max. lifting capacity × radius t × m	650 × 12 (300t Superlift) 800 × 8 (400t Superlift)
	Heavy duty main boom m	39 ~ 141
	Light duty main boom m	90 ~ 150
Superlift mast	Superlift mast length m	42
Wind power jib	Max. lifting capacity × radius t × m	160 × 17
	Wind power jib length m	7
	Main boom length m	90 ~ 114
Power boom + wind power jib + superlift system	Max. lifting capacity × radius t × m	160 × 24
	Wind power jib length m	7
	Main boom length m	108 ~ 159
Power Boom Booster + wind power jib + superlift system	Max. lifting capacity × radius t × m	160 × 26
	Wind power jib length m	7
	Main boom length m	147 ~ 171
Hoisting winch I、II	Wind speed (outermost layer)m/min	130
	Wire rope diameter mm	28
	Single rope tension KN	160
Aux hoisting winch	Wind speed (outermost layer)m/min	130
	Wire rope diameter mm	28
	Single rope tension KN	160
Main derricking winch	Wind speed (outermost layer)m/min	56 × 2
	Wire rope diameter mm	28
	Single rope tension KN	160

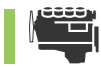
Item		Parameter
Superlift derricking winch	Wind speed (outermost layer)m/min	130
	Wire rope diameter mm	28
	Single rope tension KN	160
Slewing speed rpm		0~0.7
Traveling speed km/h		0.6/1.0
Gradeability %		30
Total crane weight (39M main boom,210t rear counterweight, 60t carbody counterweight, and 650t hook) t		520
Max. single component transportation weight t		40
Suspended Superlift counterweight t(superlift mast radius m)		300(Optional 400) (17、 20)
Rear counterweight t		190 (210)
Carbody counterweight t		60
Engine	Model	OM502LA.E3A/3
	Rated output power/speed kw/rpm	420/1800
	Rated torque Nm	2700/1300
Crawler gauge × Crawler length × Crawler width mm		8600 × 10500 × 1500

MAIN CONFIGURATIONS AND SUPPLIERS

Item	Mechanisms and components		Qty	Supplier/Country
1	Main/Aux hoisting mechanism	Winch reducer	2	Rexroth/Germany
		Hydraulic motor		
		Banalce valve	2	Bucher/Germany
2	Main derricking mechanism	Winch reducer	1	Rexroth/Germany
		Hydraulic motor		
		Banalce valve	1	Bucher/Germany
3	Superlift derricking mechanism	Winch reducer	1	Rexroth/Germany
		Hydraulic motor		
		Banalce valve	1	Bucher/Germany
4	Luffing derricking mechanism	Winch reducer	1	Rexroth/Germany
		Hydraulic motor		
		Banalce valve	1	Bucher/Germany
5	Slewing mechanism	Slewing reducer	2	Rexroth/Germany
		Hydraulic motor		
		Slewing bearing	1	LYC/China
6	Travel mechanism	Travel reducer+motor	4	O&K/Germany
7	Hydraulic pump	Main pump	1	Rexroth/Germany
			1	
		Slewing pump	1	
		Aux pump	1	
8	Main valve	Main valve 1	1	Rexroth/Germany
		Main valve 2	1	
		Main valve 3	1	
9	Engine	/	1	Benz/Germany

Item	Mechanisms and components		Qty	Supplier/Country
11	Wire rope	Main/Aux wire rope	2	Pfeifer/Germany
		Main derricking wire rope	2	
		Luffing derricking wire rope	1	
		Superlift derricking wire rope	1	
12	Electrical system	LMI system	1	Hirschmann/Germany
		Controller / Modul	3	Paifin/Fenland

TECHNICAL DESCRIPTION



Engine

Engine type—Imported Benz electronic fuel injection engine with CAN bus interface
 Rated output power—420kw, 1800r/min
 Maximum output torque —2700 Nm/1300 rpm
 Fuel tank — 700 L
 Exhaust emissions —U.S. EPA Tier 3 and EU Stage III



Hydraulic system

The hydraulic system is composed of main pump, control valve, hydraulic motor, hydraulic oil tank, oil cooler and so on.

International advanced pump-control technology is applied in the hydraulic system.

Main hydraulic elements such as pump, motor and main control valve, imported from Germany, are energy-saving, reliable and long in service life.

Main hydraulic pump: variable displacement piston pump, driven by engine

The oil source of auxiliary mechanism is supplied by constant pressure pump and tandem gear pump.

Main control valve: pilot electro-hydraulic control valve

Main circuit is controlled by pump-control system and control levers.

Auxiliary mechanism is controlled by solenoid directional control valve block, which is fitted with an overflow valve.

The support cylinder is wireless remotely controlled.

Hydraulic oil tank — 940 L

Oil filter in hydraulic system: oil return line filter and fine filter for control oil line

Oil cooler for hydraulic system: an aluminium cooler and cooling fan driven by hydraulic motor



Hoisting winches 1 and 2

The hoisting winches 1 and 2 are composed of imported axial piston variable displacement motor, balance valve, reducer, normally closed brake as well as wire rope. And they are controllable independently. If two hoisting ropes are reeved on one load hook, winch synchronization is used to synchronize the hoisting winch 1 and hoisting winch 2, thus keeping the load hook in horizontal position all the time.

The hoisting rope is a kind of rotation resistant wire rope imported from Germany.

Both hoisting winches 1 and 2 have two kinds of hoisting speed, which can improve the working efficiency dramatically.

Winch	Rope diameter	Rope length	Single rope force	Rope speed on the outmost rope layer
Hoisting winch 1	28mm	1100m	16t	130m/min
Hoisting winch 2	28mm	1100m	16t	130m/min
Aux Hoisting winch	28mm	320m	16t	130m/min



Boom derricking winches

The Boom derricking winches are composed of imported axial piston constant motor, balance valve, reducer and normally closed brake as well as wire rope.

Normally closed brake is adopted to make boom winch work independently. The boom winches have self-lock function. When control lever is returned to neutral position, the winding drum of boom winch will be locked by the brake automatically.

There are two kinds of working radius for suspended ballast. When the crane is working with a light load, the suspended ballast can be lifted off the ground via a special adjusting device, thus allowing the crane to slew and move freely.

The derricking rope is a kind of rotation resistant wire rope imported from Germany.

Winch	Rope diameter	Rope length	Single rope force	Rope speed on the outmost rope layer
Main boom derricking winch	28mm	650m	16t	2X56 m/min
Superlift derricking winch	28mm	1480m	16t	130m/min

TECHNICAL DESCRIPTION



Swing

The slewing mechanism of closed oil circuit, driven by two slewing gears, is composed of built-in axial piston constant motor, gear reducer, brake and pinion gear as well as slewing ring. The slewing mechanism has controllable free swing function, which can reduce the impacts on the crane and ensure that the slewing movements can be initiated /stopped more stably. Imported 3-row roller type, external-g geared slewing ring and slewing reducer are of strong load-carrying capacity and high precision, which can ensure stable and accurate slewing movements.

A mechanical locking device will be triggered to lock slewing mechanism during assembly, dismantling, and transportation of the crane.

infinitelyvariable Slewing speed -----0 - 0.7r/min.



Crawler

There are two hydraulic motors and two traveling reducers fitted in each traveling mechanism.

The hydraulic motors, traveling reducers and balance valves are all imported from Germany. Using control levers, the traveling movements can be controlled, such as traveling straight ahead/backwards, turning with a crawler, differential steering, turning on spot, and traveling with a load.

When the crane has traveled for 20m, its deviation is less than and equal to 25cm. Additionally, the crane has high maneuverability. There are three kinds of traveling speed for the crane: high speed, low speed and inching speed. Each speed can be infinitely adjusted to ensure stable traveling movements.

The track pads and track rollers are made of alloy steel, which meets the requirements in JB5318 standard.

Traveling speed -----0.6/1.0 km/h

Gradeability -----30%



Operator's cab

All-steel cab, which is spacious and comfortable, can be tilted and swiveled. The floor is covered with rubber plates, which are non-flammable and non-skid, and can not conduct the electricity. The noise level in the cab is less than 85dB.

The cab is equipped with control devices, detecting instruments and closed-circuit monitoring system. The LCD screens are adjustable, and have two kinds of visual modes: daylight mode and night mode. All instruments, LCD screens, switches and control levers are outfitted with indicating icons, operating instructions and work limit conditions.

The cab is also fitted with adjustable seat, DVD player, cooling & heating device, interphone, alarms, fire extinguisher and other safety devices.

The wiper, tricolor warning light and working floodlights are installed outside the cab.



Load hook

Rotatable load hook with safety catches:

800T load hook: 26 pulleys, used for crane operation with main boom

650T load hook: 24 pulleys, used for crane operation with main boom

400T load hook: 15 pulleys, used for crane operation with main boom

300T load hook: 12 pulleys, used for crane operation with Luffing jib

250T load hook: 12 pulleys, used for crane operation with Luffing jib

100T load hook: 4 pulleys, used for crane operation with fixed jib

50T load hook: 2 pulleys, used for crane operation with fixed jib

16T load hook: cylindrical load hook



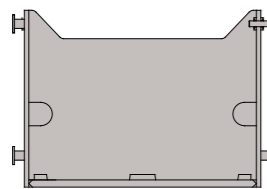
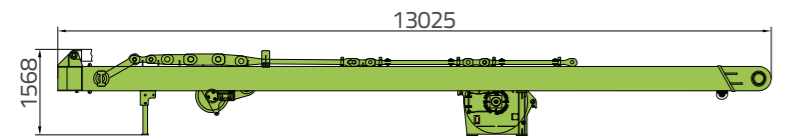
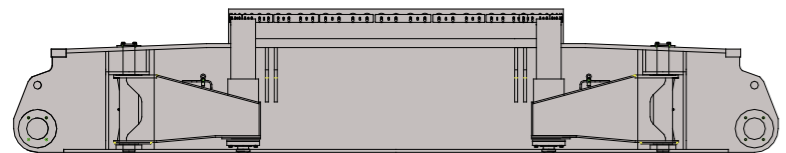
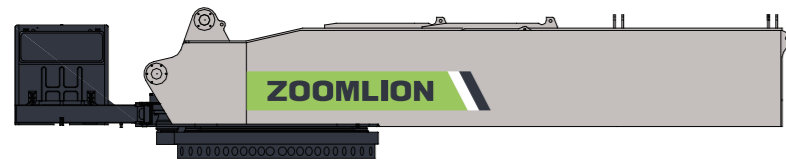
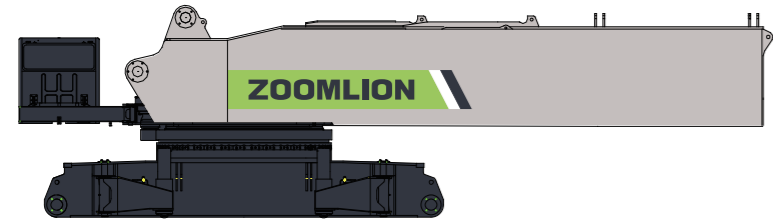
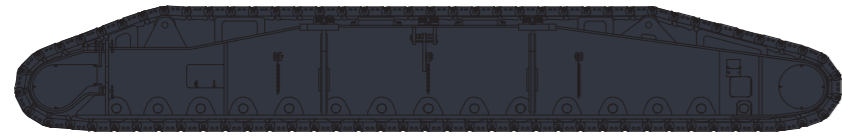
Operating weight

The operating weight includes the basic machine with crawlers,2 main winches including

wire ropes(1100m and 1100m) and 39m main boom, consisting of A-frame, 210t rear counterweight,60t carbody counterweight, and 650t hook block.

Total weight-----approx.520t

TRANSPORT DIMENSIONS AND WEIGHTS



Crawler

Length	11600 mm
Wide	1500 mm
Hight	1800 mm
Weight	44 t

Basic machine(detachable A+B)

Length	13000 mm
Wide	3400 mm
Hight	3785 mm
Weight	71 t

Basic machine(detached A)

Length	13000 mm
Wide	3400 mm
Hight	2550 mm
Weight	40 t

Slewing table(detached B)

Length	7730 mm
Wide	3390 mm
Hight	1470 mm
Weight	31 t

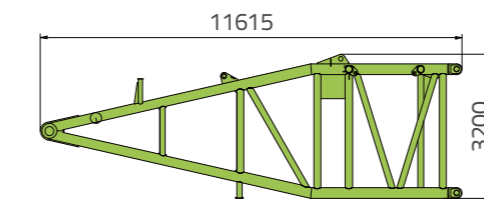
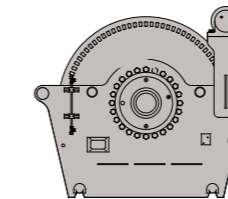
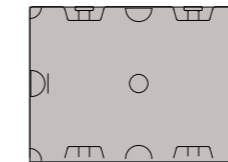
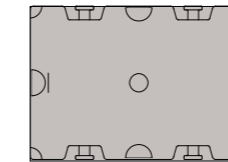
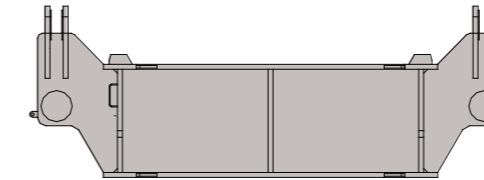
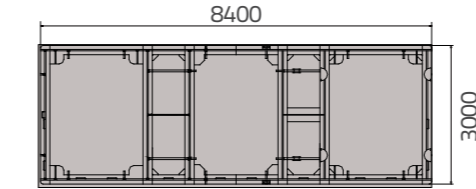
Mast assy(detachable)

Length	13025 mm
Wide	2360 mm
Hight	1568 mm
Weight	13.6 t

Counterweight Tray

Length	2880 mm
Width	2050 mm
Height	1960 mm
Weight	5.3 t

TRANSPORT DIMENSIONS AND WEIGHTS



Superlift Counterweight Tray

Length	8400 mm
Wide	3000 mm
Hight	950 mm
Weight	10 t

Detachable Counterweight Tray

Length	2930 mm
Wide	2830 mm
Hight	1015 mm
Weight	3.4 t

Counterwight

Length	1700 mm
Wide	2400 mm
Hight	365 mm
Weight	5 t

Counterwight

Length	1700 mm
Wide	2400 mm
Hight	455 mm
Weight	10 t

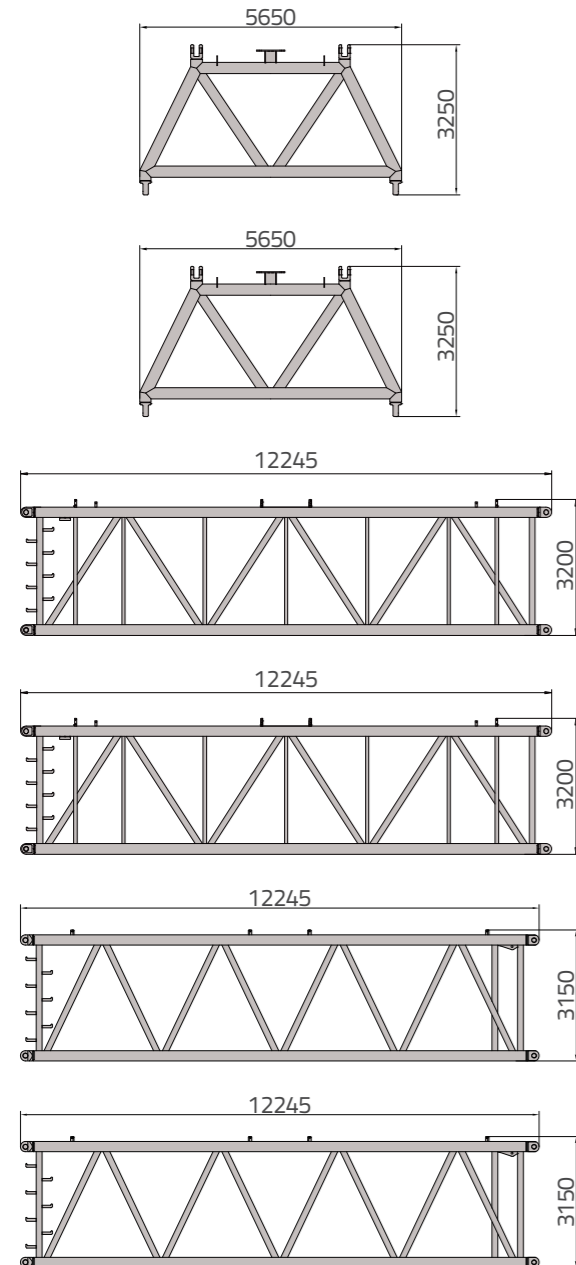
Hoisting winch

Length	1420 mm
Wide	2100 mm
Hight	1300 mm
Weight	6.8 t

Main boom foot

Length	11615 mm
Wide	3450 mm
Hight	3200 mm
Weight	12 t

TRANSPORT DIMENSIONS AND WEIGHTS



Power Boom Booster tapered mast A(Optional)

Length	5650 mm
Wide	3250 mm
Hight	3200 mm
Weight	5.8 t

Power Boom Booster tapered mast B(Optional)

Length	5650 mm
Wide	3250 mm
Hight	3200 mm
Weight	5.8 t

Power Boom Booster Section I(Optional)

Length	12245 mm
Wide	2930 mm
Hight	3200 mm
Weight	5.9 t

Power Boom Booster Section II(Optional)

Length	12245 mm
Wide	2930 mm
Hight	3200 mm
Weight	5.9 t

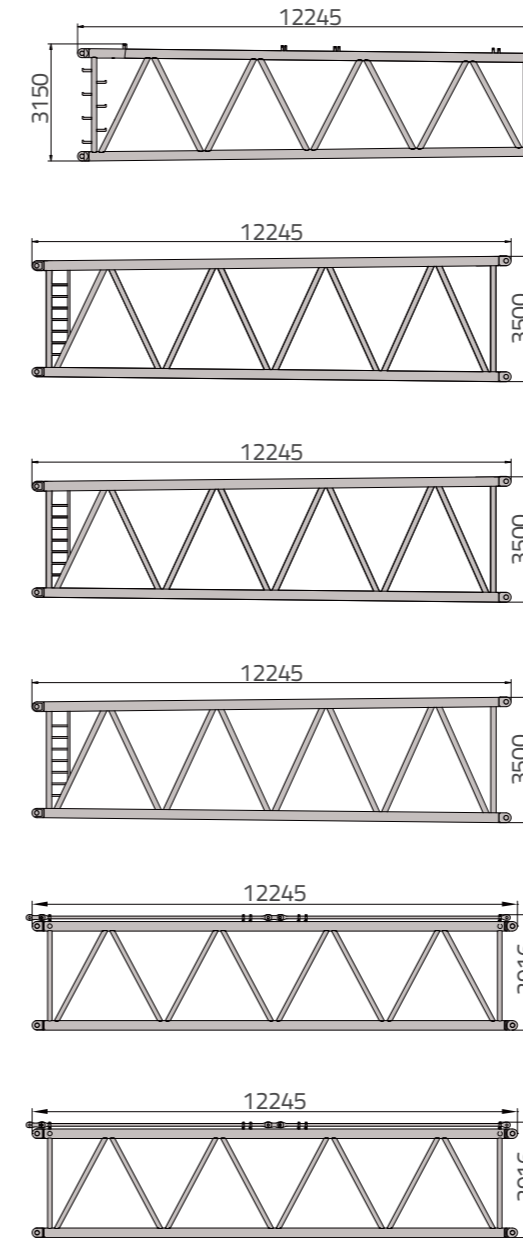
Reinforced boom section I(Reinforcement rope)

Length	12245 mm
Wide	3450 mm
Hight	3150 mm
Weight	10 t

Reinforced boom section I

Length	12245 mm
Wide	3450 mm
Hight	3150 mm
Weight	9.3 t

TRANSPORT DIMENSIONS AND WEIGHTS



Reinforced boom tapered mast section I

Length	12245 mm
Wide	3450 mm
Hight	3150 mm
Weight	9.2 t

Reinforced boom tapered mast section II A

Length	12245 mm
Wide	3750 mm
Hight	3500 mm
Weight	10 t

Reinforced boom tapered mast section II B

Length	12245 mm
Wide	3750 mm
Hight	3500 mm
Weight	10 t

Reinforced boom section II

Length	12245 mm
Wide	3750 mm
Hight	3500 mm
Weight	10 t

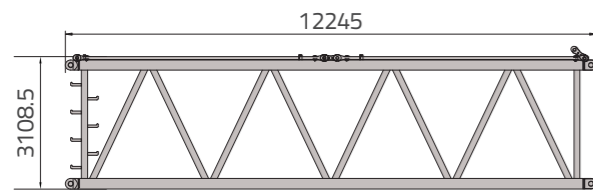
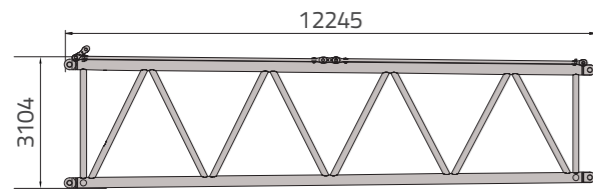
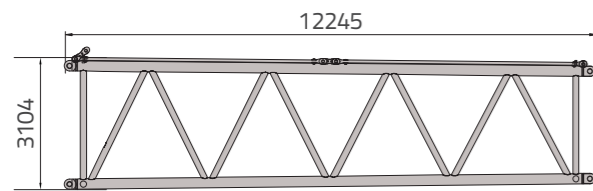
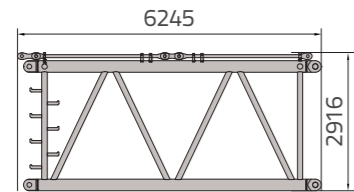
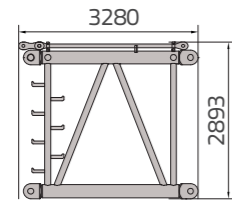
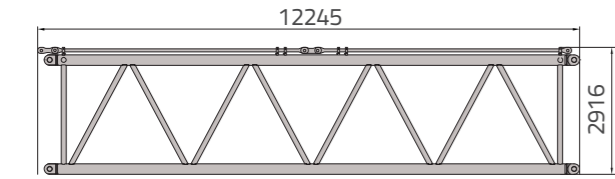
12m Main boom section As

Length	12245 mm
Wide	2950 mm
Hight	2916 mm
Weight	8.4 t

12m Main boom section B

Length	12245 mm
Wide	2950 mm
Hight	2916 mm
Weight	7.2 t

TRANSPORT DIMENSIONS AND WEIGHTS



12m Main boom section C

Length	12245 mm
Wide	2950 mm
Hight	2916 mm
Weight	6.7 t

3m boom section

Length	3280 mm
Wide	2950 mm
Hight	2893 mm
Weight	2.66 t

6m boom section

Length	6245 mm
Wide	2950 mm
Hight	2916 mm
Weight	6.85 t

Main boom tapered mast A

Length	12245 mm
Wide	3450 mm
Hight	3104 mm
Weight	9.2 t

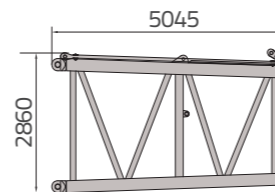
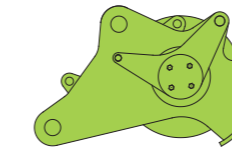
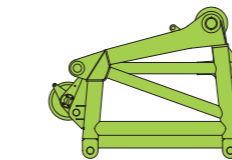
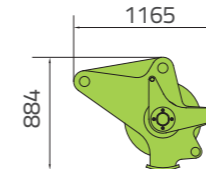
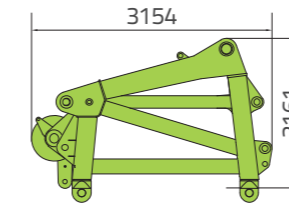
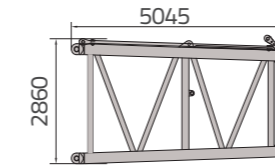
Main boom tapered mast B

Length	12245 mm
Wide	3450 mm
Hight	3104 mm
Weight	9.2 t

12m reinforced boom section

Length	12245 mm
Wide	3450 mm
Hight	3108 mm
Weight	9.3 t

TRANSPORT DIMENSIONS AND WEIGHTS



Main boom top section

Length	5045 mm
Wide	2950 mm
Hight	2860 mm
Weight	3.8 t

650t Main boom head

Length	2161 mm
Wide	2860 mm
Hight	3154 mm
Weight	4.5 t

650t Pully block assy

Length	1165 mm
Wide	1660 mm
Hight	884 mm
Weight	1.2 t

800t Main boom head(Optional)

Length	3120 mm
Wide	2905 mm
Hight	2385mm
Weight	7 t

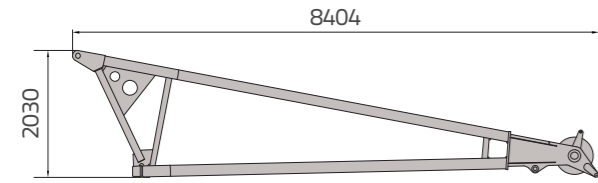
800t Pully block assembly(Optional)

Length	1120 mm
Wide	1400 mm
Hight	700 mm
Weight	1.6 t

800t tapered mast

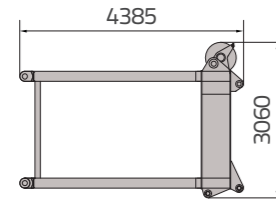
Length	5045 mm
Wide	2950 mm
Hight	2860 mm
Weight	3.8 t

TRANSPORT DIMENSIONS AND WEIGHTS



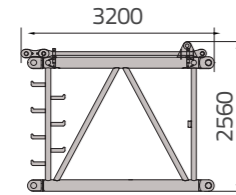
Wind power jib

Length	8404 mm
Wide	1810 mm
Hight	2030 mm
Weight	2.9 t



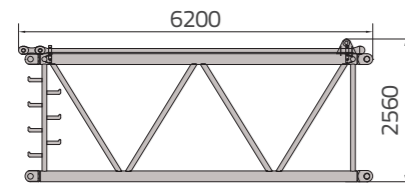
Luffing jib head

Length	4385 mm
Wide	2550 mm
Hight	3060 mm
Weight	3.9 t



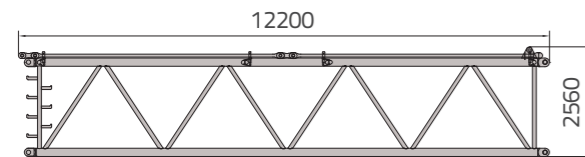
3m luffing jib section

Length	3200 mm
Wide	2550 mm
Hight	2560 mm
Weight	1.76 t



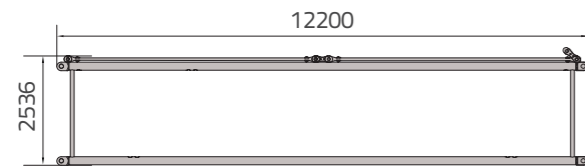
6m luffing jib section

Length	6200 mm
Wide	2550 mm
Hight	2560 mm
Weight	2.85 t



12m luffing jib section

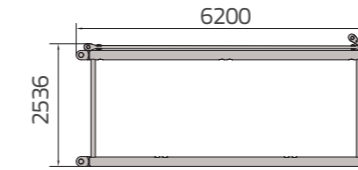
Length	12200 mm
Wide	2550 mm
Hight	2560 mm
Weight	5.15 t



12m heavy-duty luffing jib section

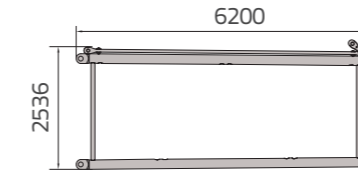
Length	12200 mm
Wide	2800 mm
Hight	2536 mm
Weight	5.35 t

TRANSPORT DIMENSIONS AND WEIGHTS



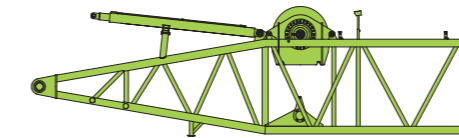
12m heavy-duty luffing jib section

Length	6200 mm
Wide	2800 mm
Hight	2536 mm
Weight	2.95 t



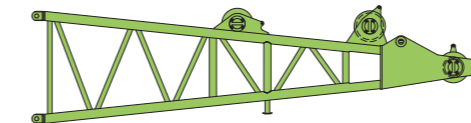
Luffing jib tapered mast

Length	6200 mm
Wide	2800 mm
Hight	2536 mm
Weight	2.9 t



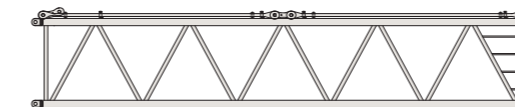
Superlift mast foot

Length	10275 mm
Wide	2780 mm
Hight	2980 mm
Weight	15.5 t



Superlift mast head

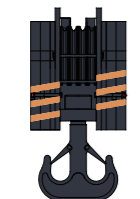
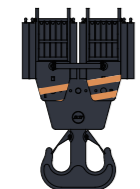
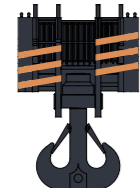
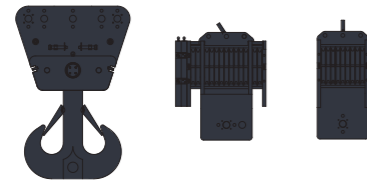
Length	8815 mm
Wide	2780 mm
Hight	2510 mm
Weight	8 t



12m superlift mast section

Length	12180 mm
Wide	2780 mm
Hight	2440 mm
Weight	7.5t

TRANSPORT DIMENSIONS AND WEIGHTS



800t Hook(Optional)

Length	1990 mm
Wide	1010 mm
Hight	3015 mm
Weight	28t

650t Hook(Optional)

Length	3040 mm
Wide	2480 mm
Hight	1430 mm
Weight	11 t

400t hook(Optional)

Length	2960 mm
Wide	1970 mm
Hight	1330 mm
Weight	9.1 t

300t hook(Optional)

Length	2630 mm
Wide	1750 mm
Hight	1186 mm
Weight	6.9 t

250t Hook(Standard)

Length	2730 mm
Wide	1675 mm
Hight	1120 mm
Weight	7.7 t

100t Hook(Optional)

Length	1970 mm
Wide	970 mm
Hight	806 mm
Weight	4.05 t

TRANSPORT DIMENSIONS AND WEIGHTS



50t Hook(Optional)

Length	1970 mm
Wide	700 mm
Hight	806 mm
Weight	2.65 t

16t hook(Optional)

Length	1156 mm
Wide	530 mm
Hight	530 mm
Weight	0.9 t

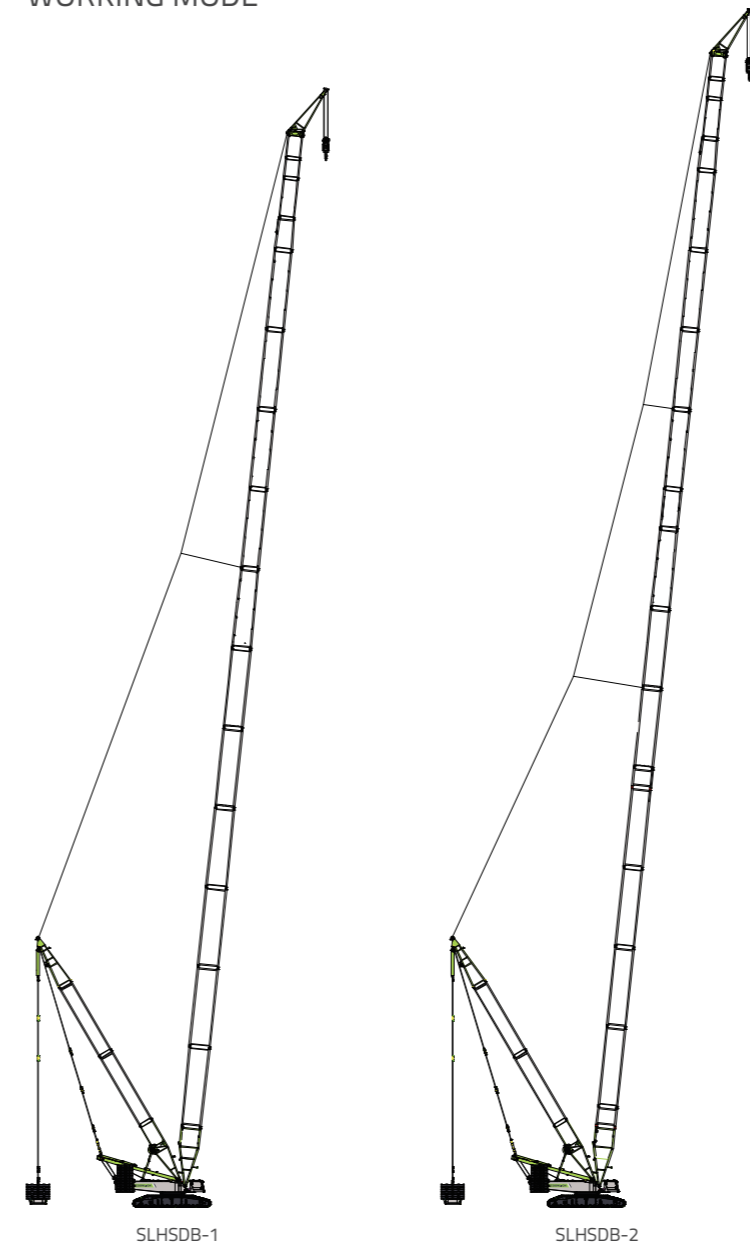
TRANSPORT DIMENSIONS AND WEIGHTS

WORKING MODE



TRANSPORT DIMENSIONS AND WEIGHTS

WORKING MODE



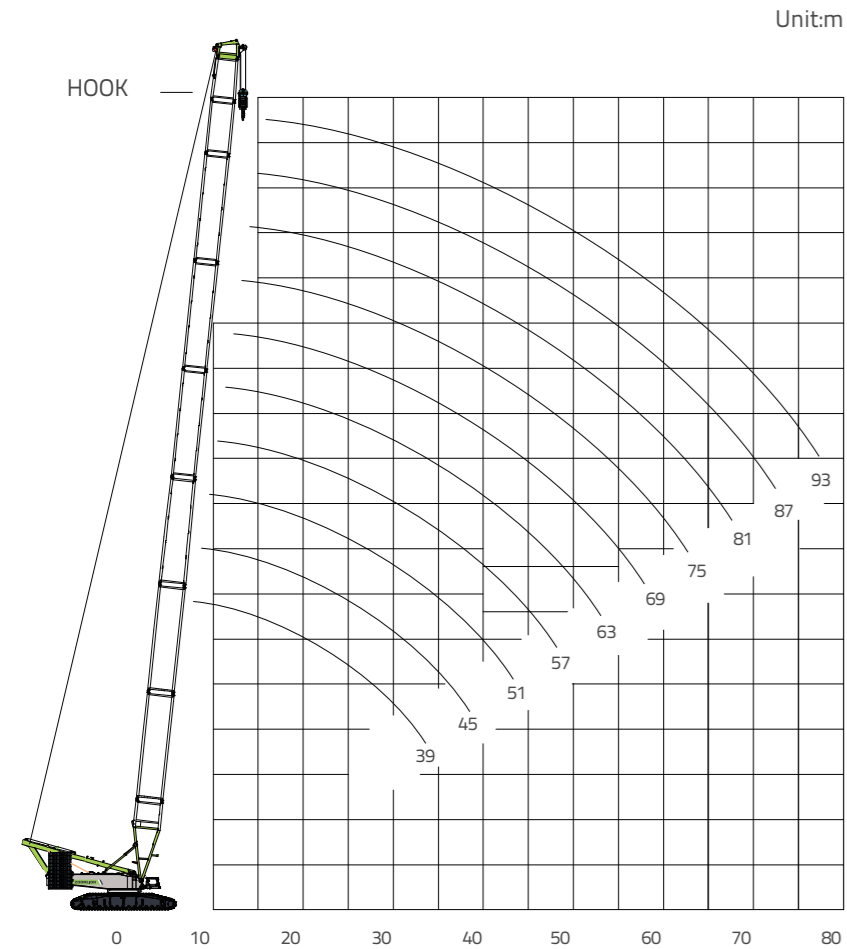
Code of woring mode	Mode	Working parameter
S	Standard main boom	S=39~93m
SL	Standard lighten boom	S=72~114m
SLHS	Standard lighten boom + wind power jib	S=90~114m HS=7m
SDB-1/2	Superlift main boom	S=39~141m
SLDB	Superlift lighten boom	S=90~150m
SLHSDB-1	Power boom + wind power jib + superlift system	S=108~159m HS=7m
SLHSDB-2	Power Boom Booster + wind power jib + superlift system	S=147~171m HS=7m

REMARKS:

SDB-1 Max.lifting capacity 650T;
 SDB-2 is optional mode ,Max. lifting capacity 800T(select optional 400T superlift counterweight)
 SLHSDB-2 is optional mode, select optional 54M ultra-wide power boom and 400T superlift counterweight

LIFTING PERFORMANCE

Standard Main Boom Lifting Performance

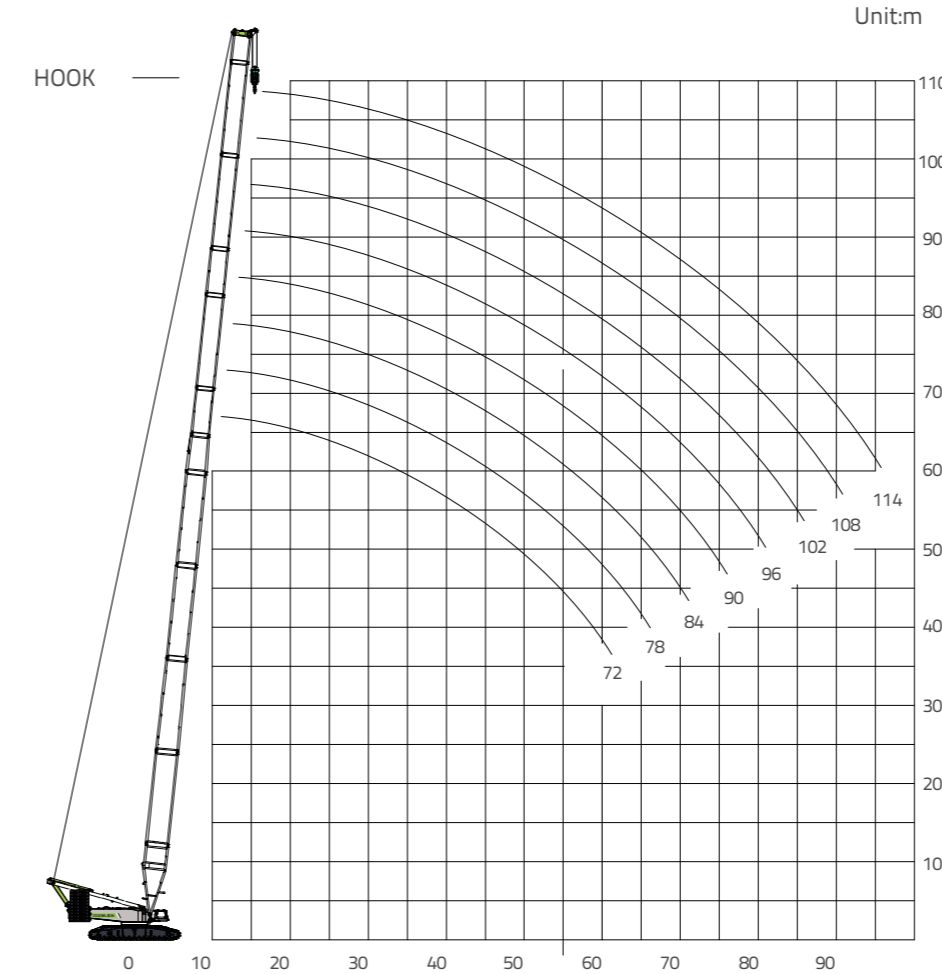


Standard Main Boom Lifting Performance Curve Chart

Standard Main Boom Lifting Capacity Table										
Rear Counterweight: 210t Car Body Counterweight: 60t										
Radius(m)	39	45	51	57	63	69	75	81	87	93
7	600									
8	557	520								
9	479	452	428	405						
10	420	398	379	361	344	329				
12	374	356	340	325	311	297	285	274		
14	336	321	308	294	283	271	261	251	242	232
16	279	268	257	248	239	230	222	213	207	199
18	232	228	221	213	206	198	192	185	180	173
20	195	194	192	185	180	174	168	162	158	152
22	167	166	166	164	159	154	149	144	140	135
24	146	145	145	144	142	137	134	129	125	121
26	129	128	128	127	126	124	120	116	113	109
28	115	114	114	113	113	112	109	105	102	98.4
30	104	103	102	101	101	99.9	99.1	95.4	93	89.4
32	93.8	93.1	92.5	91.5	91.2	90.1	89.6	87.1	84.9	81.6
34	85.5	84.8	84.2	83.1	82.8	81.7	81.2	79.8	77.8	74.6
36	78.3	77.6	77	75.9	75.6	74.5	74	72.8	71.5	68.4
38	71.9	71.3	70.7	69.6	69.3	68.2	67.6	66.4	65.8	62.9
40		65.7	65.1	64.1	63.7	62.6	62	60.8	60.5	57.8
44		60.7	60.2	59.1	58.8	57.6	57.1	55.8	55.5	53.3
48			51.7	50.7	50.4	49.2	48.7	47.4	47	45.4
52				43.8	43.5	42.3	41.3	40.2	40.1	38.3
56				38	37.7	36.4	35.3	34.6	33.4	32.7
60					32.7	31.6	30.4	28.5	28.5	27.4
64						26.7	25.5	24.8	23.7	22.5
68							22.5	20.7	20.2	18.8
72								16.9	16.9	15.3

LIFTING PERFORMANCE

Standard Lighten Boom Lifting Performance

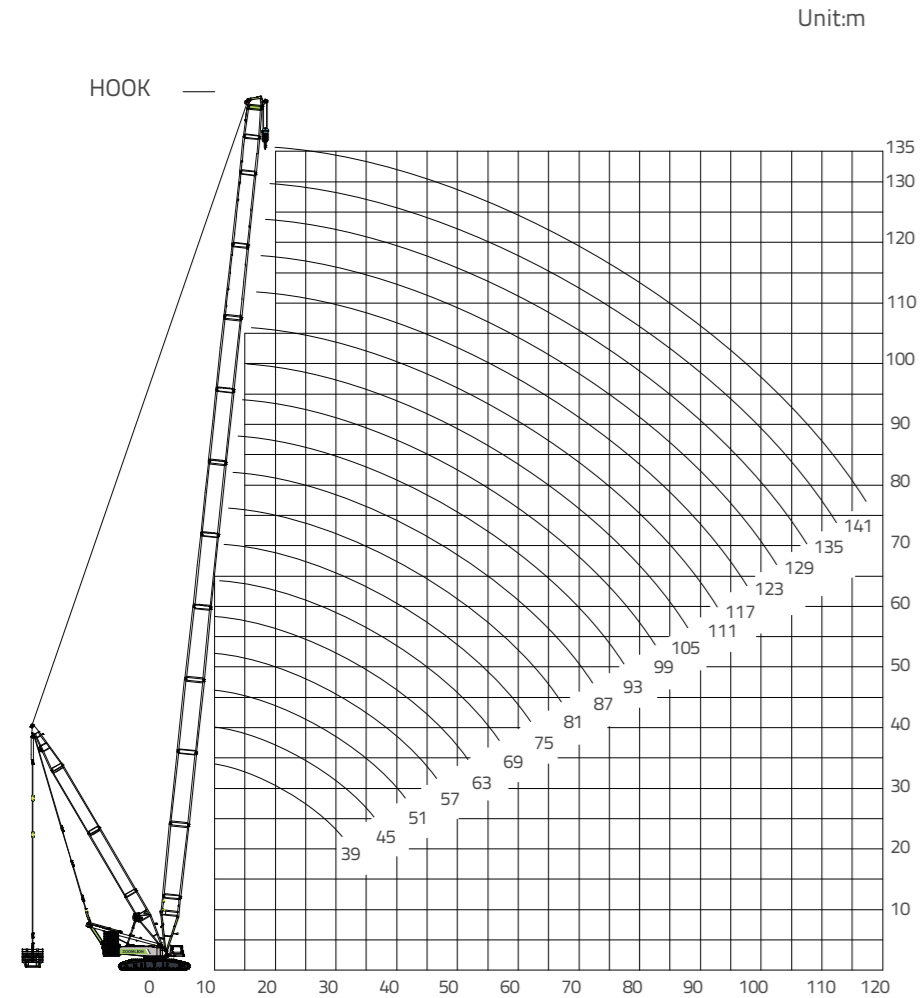


Standard Lighten Boom Lifting Performance Curve Chart

Standard Lighten Boom Lifting Capacity Table									
Rear Counterweight: 210t Car Body Counterweight: 60t Boom Length(m)									
Radius(m)	72	78	84	90	96	102	108	114	
11	330								
12	294	287	284						
14	243	236	233	228	210				
16	204	197	197	192	189	180	160	136	
18	173	170	168	165	161	161	150	134	
20	153	150	146	144	141	141	138	128	
22	134	131	131	126	126	125	125	122	
24	119	117	114	112	112	110	110	109	
26	107	105	104	102	99.3	99.3	99.3	97.5	
28	97.5	94.7	94.7	91.8	90.1	90.1	90.1	87.2	
30	89	87.2	85.5	82.6	82.6	80.9	80.9	80.9	
32	80.9	78	78	75.2	75.2	73.4	73.4	73.4	
34	73.4	72.3	70.6	69.5	67.7	67.7	67.7	67.7	
36	67.7	66	66	63.1	63.1	61.3	61.3	61.3	
38	61.3	60.3	60.3	58.5	57.4	57.4	57.4	56.7	
40	57.4	55.7	55.7	53.9	52.8	52.8	52.8	52.8	
44	48.2	46.4	46.4	45.4	44.7	43.6	45.4	45.4	
48	41.8	40.1	40.1	37.9	37.9	37.2	39	37.9	
52	36.2	34.4	34.4	32.6	31.6	31.6	33.3	32.6	
56	31.6	29.8	28.7	26.9	26.9	26.9	28	28	
60	26.9	25.2	25.2	23.4	22.3	22.3	24.1	23.4	
64	23.4	21.9	21.3	19.5	19.1	18.4	20.6	19.5	
68		18.4	18.4	16.7	16	16	17.3	16.7	
72			14.9	13.8	13.1	13.1	14.5	13.8	
76				11.4	10.3	10.3	12.1	11.4	

LIFTING PERFORMANCE

Superlift Main Boom Lifting Performance



Superlift Main Boom Lifting Performance Curve Chart

Superlift Main Boom SDB-1 Lifting Capacity Table									
SDB-1: Rear Counterweight: 210t Car body Counterweight: 60t Superlift Radius: 20m Superlift Counterweight: 300t									
Boom Length(m)	39	45	51	57	63	69	75	81	87
Radius(m)									
8	650	650							
9	650	650	647						
10	650	650	647	591	534				
11	650	650	647	591	534	476	416		
12	650	650	647	591	534	476	416	386	356
14	620	650	647	591	534	476	416	386	356
16	575	614	612	591	534	476	416	386	356
18	545	545	544	543	534	476	416	386	356
20	466	483	489	488	491	476	416	386	356
22	416	432	443	442	445	444	416	386	356
24	375	389	401	404	407	404	403	386	356
26	340	353	365	372	374	371	370	365	356
28	310	323	333	342	346	342	342	337	333
30	284	296	306	314	321	317	317	313	309
32	261	272	282	290	299	296	296	291	288
34	240	252	261	268	280	276	277	273	269
36		233	242	249	260	259	260	256	253
38		216	225	232	243	244	244	241	238
40		200	209	216	227	230	231	227	224
44			182	189	200	204	207	204	201
48				166	177	181	184	184	181
52					157	161	167	167	165
56					140	144	151	150	150
60						129	136	136	136
64							123	124	126
68								112	114
72									104
76									94

LIFTING PERFORMANCE

Superlift Main Boom Lifting Performance

Superlift Main Boom SDB-1 Lifting Capacity Table									
SDB-1: Rear Counterweight: 210t Car body Counterweight: 60t Superlift Radius: 20m Superlift Counterweight: 300t									
Boom Length(m)	93	99	105	111	117	123	129	135	141
Radius(m)									
14	325	294	278						
16	325	294	278	263	231	220			
18	325	294	278	263	231	220	204	178	160
20	325	294	278	263	231	220	204	178	160
22	325	294	278	263	231	220	204	178	160
24	325	294	278	263	231	220	204	178	160
26	325	294	278	263	231	220	204	178	160
28	325	294	278	263	231	220	202	176	158
30	304	294	276	263	231	220	200	174	156
32	284	279	268	263	231	220	198	172	154
34	265	261	258	254	231	220	196	170	152
36	249	245	241	238	231	220	195	168	150
38	234	230	226	224	220	218	194	167	149
40	221	217	213	211	208	205	193	166	148
44	198	194	191	189	185	183	180	165	147
48	178	175	172	170	167	165	161	160	145
52	162	159	155	154	151	149	146	144	141
56	148	144	142	140	137	135	132	131	128
60	134	131	129	128	125	123	120	119	116
64	123	121	119	117	115	113	110	109	106
68	114	112	109	108	105	104	101	99.7	97
72	103	102	100	99.5	96.9	95.4	92.7	91.5	88.9
76	94.8	94.8	92.8	92	89.4	88	85.3	84.2	81.6
80	86.2	86.3	86.3	84.2	82.7	81.3	78.7	77.6	75
84		78.6	78.8	77.7	75.7	75.2	72.6	71.6	69.1
88			71.6	72.4	70.4	69.6	67.1	66.1	63.6
92			64.9	66.3	65.9	63.9	62.1	61.1	58.6
96				60.2	60	59.9	57.4	56.5	54
100					54.3	55.1	53.1	52.2	49.8

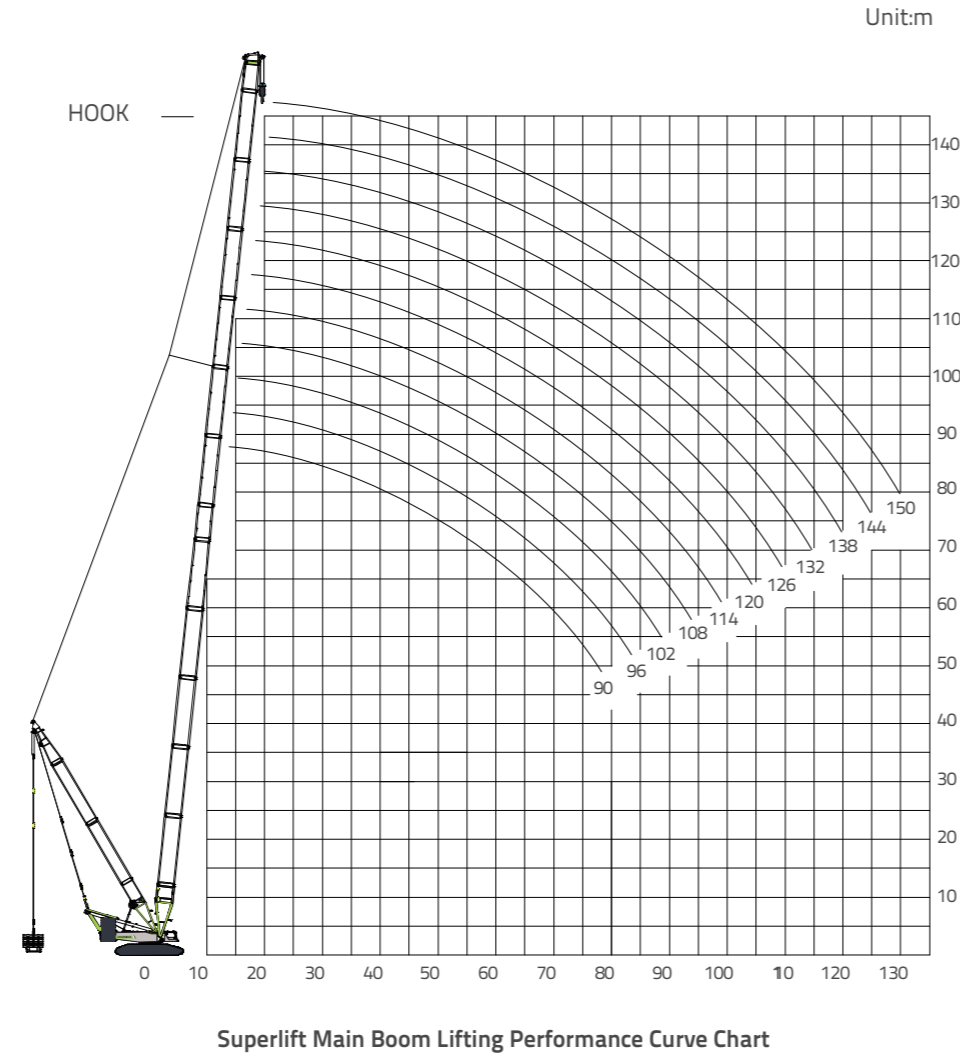
Superlift Main Boom SDB-2 Lifting Capacity Table(Optional)									
SDB-2: Rear Counterweight: 210t Car body Counterweight: 60t Superlift Radius: 20m Superlift Counterweight: 400t									
Boom Length(m)	39	45	51	57	75	75	75	81	87
Radius(m)									
8	800	750	647						
9	768	732	647	591	534				
10	732	728	647	591	534	476	416		
11	702	694	647	591	534	476	416	386	356
12	675	674	647	591	534	476	416	386	356
14	624	624	617	591	534	476	416	386	356
16	578	577	576	571	534	476	416	386	356
18	545	534	533	533	534	476	416	386	356
20	477	476	475	475	478	476	416	386	356
22	430	429	428	428	431	430	416	386	356
24	391	390	389	389	392	391	392	386	356
26	358	357	356	356	359	358	359	358	356
28	330	329	328	328	331	329	331	330	331
30	306	305	304	303	306	305	307	305	307
32	285	284	283	282	285	284	286	284	286
34	266	265	264	263	266	265	267	265	267
36		249	247	247	250	249	250	249	250
38		234	233	232	235	234	235	234	236
40		221	219	219	222	220	222	220	222
44			196	196	199	197	199	197	199
48				176	180	178	180	178	180
52					163	162	164	162	164
56					150	148	150	148	150
60						136	138	136	138
64							127	126	128
68								116	118
72									110
76									103

LIFTING PERFORMANCE

Superlift Main Boom Lifting Performance

Superlift Main Boom SDB-2 Lifting Capacity Table(Optional)									
SDB-2: Rear Counterweight: 210t Car body Counterweight: 60t Superlift Radius: 20m Superlift Counterweight: 400t									
Boom Length(m)	93	99	105	111	117	123	129	135	141
Radius(m)									
14	325	294	278	263	231				
16	325	294	278	263	231	220	204	180	162
18	325	294	278	263	231	220	204	180	162
20	325	294	278	263	231	220	204	180	162
22	325	294	278	263	231	220	204	180	162
24	325	294	278	263	231	220	204	180	162
26	325	294	278	263	231	220	204	180	162
28	325	294	278	263	231	220	203	180	162
30	305	294	278	263	231	220	199	175	160
32	284	282	270	263	231	220	194	170	156
34	265	263	261	260	231	216	189	166	152
36	249	247	245	243	231	211	184	161	148
38	234	232	230	228	227	206	178	156	144
40	220	218	217	215	213	201	173	151	139
44	197	195	193	192	190	190	163	140	130
48	178	176	174	173	171	170	152	130	120
52	162	160	158	157	155	154	142	120	111
56	148	146	144	143	141	140	131	110	102
60	136	134	132	131	129	128	121	101	93.2
64	126	124	122	120	118	118	112	91.3	84.8
68	116	114	112	111	109	108	102	82.1	76.1
72	108	106	104	103	101	100	92.6	73.7	68.1
76	101	98.6	96.7	95.3	93.5	92.8	84.2	65	60.6
80	93.9	91.9	90	88.6	86.8	86.1	75.5	57.2	53.2
84		85.8	84	82.6	80.8	80.1	67.1	49.5	46.1
88			78.5	77.1	75.3	74.6	59.1	42.1	39
92			73.4	72	70.3	66.6	51.7	35	32.5
96				67.4	65.7	56.6	44.6	28.5	26
100					60.6	48	37.5	22	19.5

Superlift Lighten Boom Lifting Performance



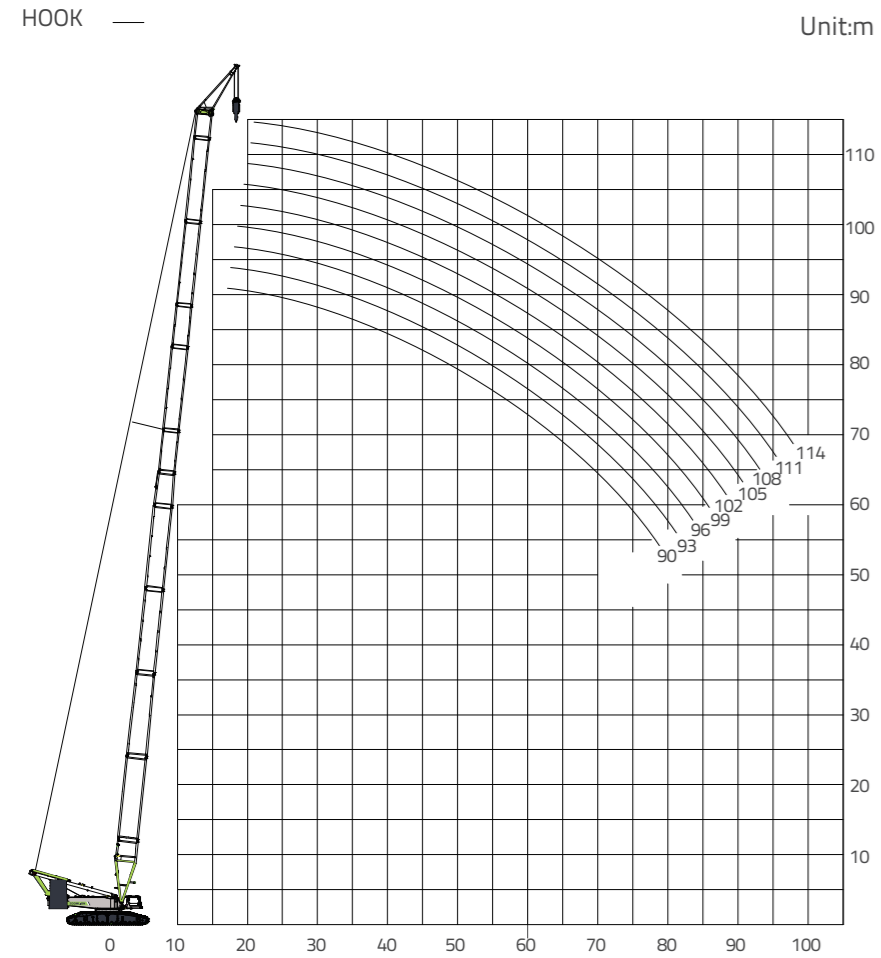
LIFTING PERFORMANCE

Superlift Lighten Boom Lifting Performance

Superlift Lighten Boom Lifting Capacity Table												
Rear Counterweight: 210t Car body Counterweight: 60t Superlift Radius: 20m Superlift Counterweight: 300t												
Boom Length(m)	90	96	102	108	114	120	126	132	138	144	150	
Radius(m)												
14	325	294	263	263								
16	325	294	263	263	231	231	231					
18	325	294	263	263	231	231	231	199	183	174	155	
20	325	294	263	263	231	231	231	199	183	174	155	
22	325	294	263	263	231	231	231	199	184	174	155	
24	325	294	263	263	231	231	231	199	184	174	155	
26	325	294	263	263	231	231	231	199	184	174	154	
28	325	294	263	263	231	231	231	199	184	174	154	
30	306	294	263	263	231	231	231	199	184	173	154	
32	285	281	263	263	231	231	231	199	183	173	153	
34	266	263	259	255	231	231	231	199	183	172	153	
36	249	246	243	239	231	231	230	199	183	172	152	
38	232	232	228	225	222	219	216	199	182	171	151	
40	217	217	215	212	209	207	203	199	181	171	151	
44	192	192	191	189	186	184	181	179	176	169	149	
48	172	171	170	169	167	166	163	161	158	155	148	
52	155	154	153	151	150	150	147	145	142	139	136	
56	140	139	138	137	136	136	133	132	129	126	123	
60	128	127	126	125	123	123	122	120	117	114	112	
64	117	116	115	114	113	112	111	110	107	104	102	
68	107	107	106	104	103	103	101	100	97.9	95.1	92.5	
72	99.1	98.3	97.2	95.9	94.7	94.4	93.1	92.2	89.8	87	84.5	
76	91.7	90.9	89.8	88.5	87.2	87	85.6	84.9	82.4	79.8	77.2	
80		84.3	83.1	81.8	80.6	80.3	79	78.3	75.8	73.2	70.8	
84		78.3	77.1	75.8	74.6	74.2	73	72.2	69.9	67.3	64.9	
88			71.7	70.4	69.1	68.9	67.6	66.7	64.4	61.8	59.4	
92				65.4	64.2	63.9	62.6	61.6	59.3	56.8	54.5	
96					59.6	59.4	58.1	57	54.7	52.3	49.9	
100						55.5	55.2	53.9	52.7	50.5	48	45.7

LIFTING PERFORMANCE

Standard Wind Power Jib Lifting Performance

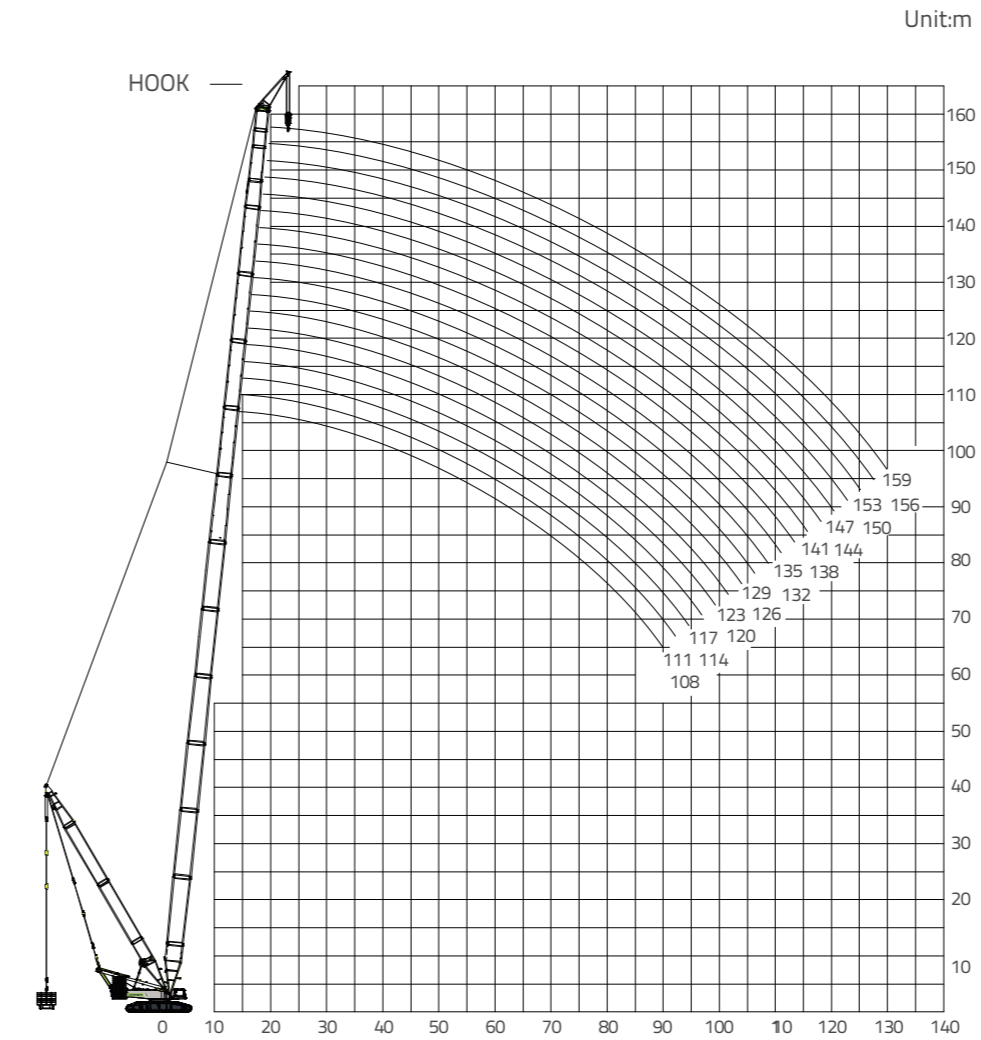


Standard Wind Power Jib Lifting Performance Curve Chart

Standard Wind Power Jib Lifting Capacity Table								
Rear Counterweight: 210t Car body Counterweight: 60t Wind Power Jib:7M								
Boom Length(m)	90	93	96	99	102	105	108	114
Radius(m)								
15	160	160	160					
16	160	160	160	160				
17	160	160	160	160	152	148	132	123
18	159	157	155	152	148	145	131	121
19	150	148	146	144	143	140	129	119
20	142	140	138	136	135	133	127	118
22	128	126	125	123	122	120	121	114
24	116	114	113	111	110	109	109	108
26	105	104	103	101	101	98.9	100	98.4
28	96.5	95	94.1	92.5	92.1	90.5	91.6	90.2
30	88.5	87.2	86.2	84.9	84.5	83	84.4	82.8
32	81.5	80.2	79.4	78.1	77.8	76.5	77.8	76.5
34	75.2	74.1	73.4	72	71.8	70.5	72	70.7
36	69.7	68.5	67.9	66.6	66.4	65.2	66.8	65.5
38	64.7	63.5	62.9	61.7	61.6	60.3	62	60.7
40	60	59.1	58.4	57.3	57.1	56.1	57.6	56.5
44	51.3	51	50.7	49.5	49.5	48.5	50.1	49
48	44.3	43.9	43.8	43	43	41.9	43.7	42.6
52	38.4	37.8	37.8	37.4	37.4	36.4	38.2	37.2
56	33.5	32.3	32.3	32.3	32.3	31.6	33.5	32.4
60	28.8	28	28	27.5	28	26.7	28.8	28.4
64	24.6	24.1	24.1	23.3	23.3	23.3	25.4	24.6
68	21.2	20.7	20.7	19.9	19.9	19.9	21.2	21.2
72	17.8	17.8	17.8	16.5	17.3	16.5	18.6	17.8
76	15.2	14.4	14.4	14.4	14.4	13.6	15.7	15.2
80	13.1	12.3	12.3	11.8	11.8	11	13.6	12.3
84	10.2	10.2	10.2	9.7	9.7	8.9	11	9.7
88		8.1	7.6	7.6	7.6	6.8	8.9	7.1

LIFTING PERFORMANCE

Superlift Power Boom + Wind Power Jib Lifting Performance



Superlift Power Boom + Wind Power Jib Lifting Performance Curve Chart

Superlift Power Boom+ Wind Power Jib Lifting Capacity Table								
Rear Counterweight 210t Car Body Weight 60t Superlift Radius 17m Superlift Counter Weight 300t Wind Power Tip7m								
Boom Length(m)	108	111	114	117	120	123	126	129
Radius(m)								
17	180							
18	180	180	180	180	180			
19	178	178	178	178	178	178	176	171
20	176	176	176	176	176	176	174	169
22	175	175	175	175	174	173	172	167
24	173	173	172	172	171	170	168	165
26	170	168	166	166	166	165	164	162
28	163	162	162	161	160	159	159	160
30	160	160	159	159	158	158	157	158
32	156	156	155	155	155	155	155	155
34	153	153	153	153	153	153	153	153
36	152	152	152	152	152	151	151	151
38	150	150	150	150	149	149	149	148
40	148	148	148	148	148	147	147	147
44	141	141	141	141	140	139	137	136
48	128	128	126	125	125	124	122	121
52	115	114	113	113	112	111	109	108
56	103	103	102	101	101	100	98	98
60	93	93	92	91	91	90	89	88
64	84	84	83	83	83	82	80	80
68	77	76	75	75	75	74	73	72
72	70	70	69	68	68	68	66	65
76	64	64	63	62	62	62	60	59
80	59	58	57	57	57	56	55	54
84	54	53	52	52	52	51	50	49
88	49	49	48	48	47	46	45	45

LIFTING PERFORMANCE

Superlift Power Boom + Wind Power Jib Lifting Performance

Superlift Power Boom+ Wind Power Jib Lifting Capacity Table										
Rear Counterweight 210t Car Body Weight 60t Superlift Radius 17m Superlift Counter Weight 300t Wind Power Tip7m										
Boom Length(m)	132	135	138	141	144	147	150	153	156	159
Radius(m)										
17										
18										
19										
20	165	160	155							
22	165	160	155	155	146	137	127	120	113	110/23
24	163	160	155	155	146	137	127	120	112	110
26	161	160	155	155	146	137	127	120	112	109
28	159	159	155	155	146	137	127	119	112	108
30	157	158	155	155	145	136	127	119	112	107
32	155	156	155	154	145	136	126	119	111	106
34	153	154	154	154	145	136	126	118	111	105
36	151	150	150	150	144	135	126	118	110	104
38	148	148	148	148	144	135	125	118	110	103
40	146	146	145	145	143	134	125	117	109	102
44	136	135	133	131	130	129	124	116	108	101
48	121	120	118	116	116	114	113	111	107	100
52	108	107	105	103	102	101	100	99	98	97
56	97	96	94	92	92	91	89	88	88	87
60	87	87	85	83	82	81	80	79	78	78
64	79	78	77	74	74	73	71	71	70	69
68	72	71	69	67	67	66	64	63	63	62
72	65	64	63	60	60	59	58	57	57	56
76	59	58	57	55	54	53	52	51	51	50
80	53	53	51	49	49	48	46	46	46	45
84	49	48	46	44	44	43	42	41	41	40
88	44	43	42	40	39	39	37	36	36	36

Superlift Power Boom+ Wind Power Jib Li						
Rear Counterweight: 210t Car body Counterweight: 60t Superlift Radius: 20m Superlift Counterweight: 0t						
Boom Length(m)	108	111	114	117	120	123
Radius(m)						
19	160	160	160	160	160	
20	160	160	159	158	156	155
22	145	144	142	141	139	138
24	131	129	127	126	125	124
26	118	117	115	114	113	112
28	107	106	104	103	102	101
30	96.8	96.4	94.6	93.6	92.9	91.8
32	87.9	87.9	86.3	85.3	84.5	83.7
34	81	80.2	78.9	78	77.3	76.4
36	73.4	73.4	72.1	71.4	70.8	69.9
38	67.9	66.6	66.3	65.5	64.5	64
40	62.3	62.1	60.9	59.8	59.6	58.7
44	52.5	52.2	51.4	50.8	50.1	49.4
48	44.5	44.2	43.3	42.9	42.5	41.6
52	37.8	37	35.7	35.7	35.7	35
56	31	31	30.1	30.1	29.7	28.8
60	26.2	25.4	24.6	24.6	24.6	24.1
64	22	21.2	19.9	19.9	19.9	19.1
68	17.8	17.3	16.5	15.7	15.7	15.7
72	14.4	13.6	13.1	12.3	12.3	11.8
76	11	10.7	9.7	8.9	8.9	8.9
80	8.4	7.6	6.8	6.3	6.3	5.5

LIFTING PERFORMANCE

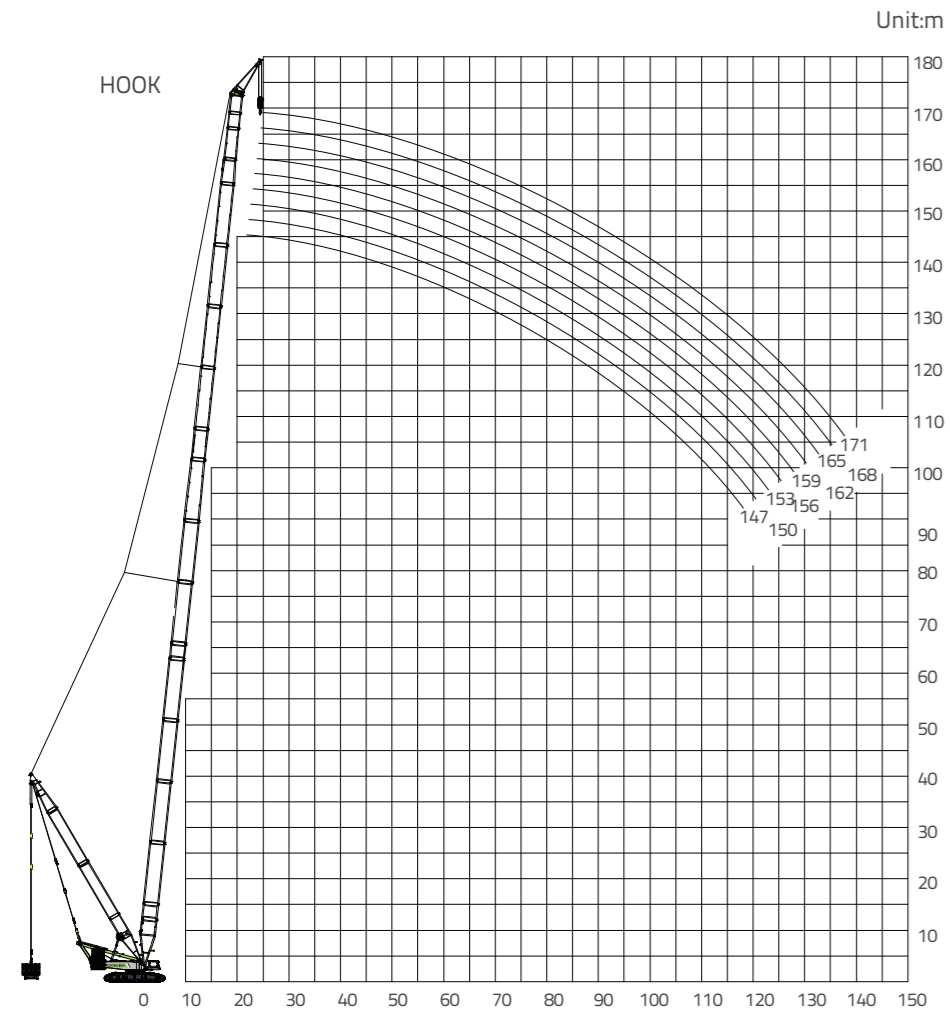
Superlift Power Boom+ Wind Power Jib Lifting Performance

Superlift Power Boom+ Wind Power Jib Li						
Rear Counterweight: 210t Car body Counterweight: 60t Superlift Radius: 20m Superlift Counterweight: 0t						
Boom Length(m)	126	129	132	135	138	141
Radius(m)						
20	153	151	150	148		
22	136	135	133	132	130	127
24	122	121	120	118	116	114
26	110	109	108	106	105	102
28	99.3	98.2	97.3	96.1	94.2	91.9
30	90.1	89	88.2	87.1	85.3	83
32	81.9	81	80.2	79.1	77.4	75.1
34	74.7	73.8	73	72	70.3	68.1
36	68.2	67.3	66.6	65.6	64	61.8
38	62.4	61.5	60.9	59.9	58.3	56.1
40	57.1	56.2	55.6	54.7	53.1	50.9
44	47.9	47.1	46.5	45.6	44	41.9
48	40.1	39.3	38.8	38	36.4	34.3
52	33.5	32.8	32.3	31.4	29.9	27.9
56	27.7	27	26.6	25.8	24.3	22.2
60	22.7	22	21.6	20.8	19.4	17.3
64	18.3	17.7	17.2	16.5	15	13
68	14.4	13.6	13.4	12.6	11.2	9.2
72	10.9	10.2	9.9	9.1	7.7	5.7
76	7.6	7.1	6.7	6		

Superlift Power Boom+ Wind Power Jib Li						
Rear Counterweight: 210t Car body Counterweight: 60t Superlift Radius: 20m Superlift Counterweight: 0t						
Boom Length(m)	144	147	150	153	156	159
Radius(m)						
22	126	125	123	120	112/23	110/23
24	113	111	110	108	107	106
26	101	99.8	98.1	96.8	96.2	94.9
28	91	89.8	88.1	86.9	86.4	85.2
30	82.2	81	79.4	78.3	77.7	76.6
32	74.3	73.3	71.6	70.6	70.1	69
34	67.4	66.3	64.7	63.7	63.3	62.2
36	61.1	60.1	58.5	57.5	57.1	56.1
38	55.4	54.5	52.9	51.9	51.6	50.6
40	50.3	49.4	47.8	46.9	46.6	45.6
44	41.4	40.5	39	38.1	37.8	36.9
48	33.8	33	31.5	30.6	30.4	29.5
52	27.4	26.5	25.1	24.2	24	23.2
56	21.8	21	19.5	18.7	18.5	17.7
60	16.9	16.1	14.7	13.9	13.7	12.9
64	12.6	11.8	10.4	9.6	9.5	8.7
68	8.7	8	6.6	5.8	5.7	5

LIFTING PERFORMANCE

Superlift Power Boom Booster+ Wind Power Jib Lifting Performance

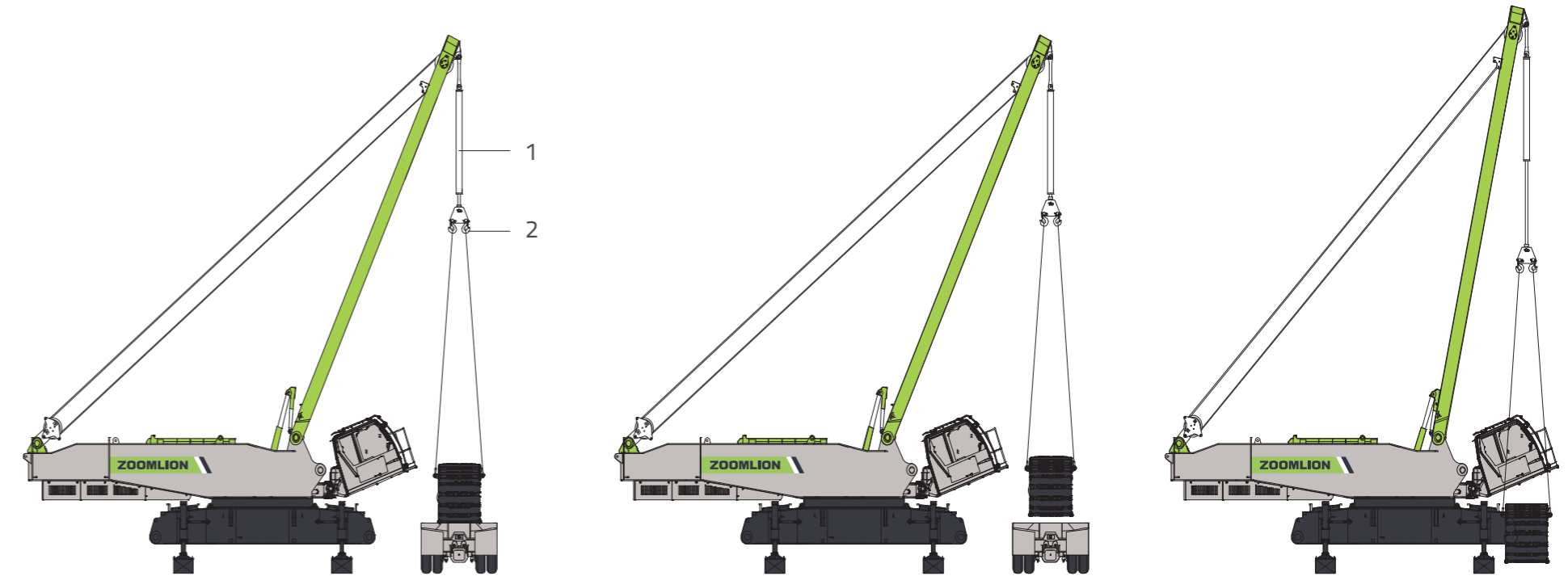


Superlift Ultra-wide Power Boom+ Wind Power Jib Lifting Performance Curve Chart

Superlift Power Boom Booster+ Wind Power Jib Lifting Capacity Table									
Rear Counterweight:190t Car body Counterweight:60t Superlift Radius:17m									
Superlift Counterweight:300t Wind Power Jib:7M									
Boom Length(m)	147	150	153	156	159	162	165	168	171
Radius(m)									
22	160								
24	160	160	154	151	147	138	128		
26	160	159	150	147	144	133	124	118	112
28	159	157	153	151	142	129	120	118	112
30	157	155	146	144	137	124	115	115	108
32	155	153	142	140	131	121	111	110	104
34	153	148	139	135	126	117	108	106	98.9
36	151	142	133	130	122	113	104	101	95.5
38	149	139	130	126	117	108	101	98.1	92.1
40	144	133	124	121	113	104	96.8	93.4	87.9
44	135	126	117	113	104	96.8	90	86.6	81
48	128	117	110	104	98.1	90	83.1	81	75.5
52	120	111	102	98.9	92.1	84.5	77.6	75.5	70
56	113	104	96.8	92.1	86.6	78.9	73.4	70	64.5
60	108	98.9	92.1	87.9	81	74.7	68.7	65.3	59.8
64	102	93.4	86.6	82.3	75.5	70	64.5	61.1	56.4
68	96.8	89.2	82.3	77.6	72.1	65.8	59.8	56.9	52.2
72	93.4	84.5	77.6	73.4	67.9	62.4	56.9	53.5	48.8
78	89.2	81	74.7	70	64.5	59	53.5	50.1	45.4
84	84.5	77.6	71.3	66.6	61.1	55.6	50.1	46.7	43.3
88	82.3	74.7	67.9	63.2	57.7	52.2	47.5	44.6	39.9
92	77.6	72.1	65.3	61.1	55.6	50.1	45.4	42	37.8
96	72.1	68.7	62.4	57.7	53	47.5	42.5	39.9	35.7
100	66.6	66.6	59.8	55.6	50.1	45.4	40.7	37	33.6

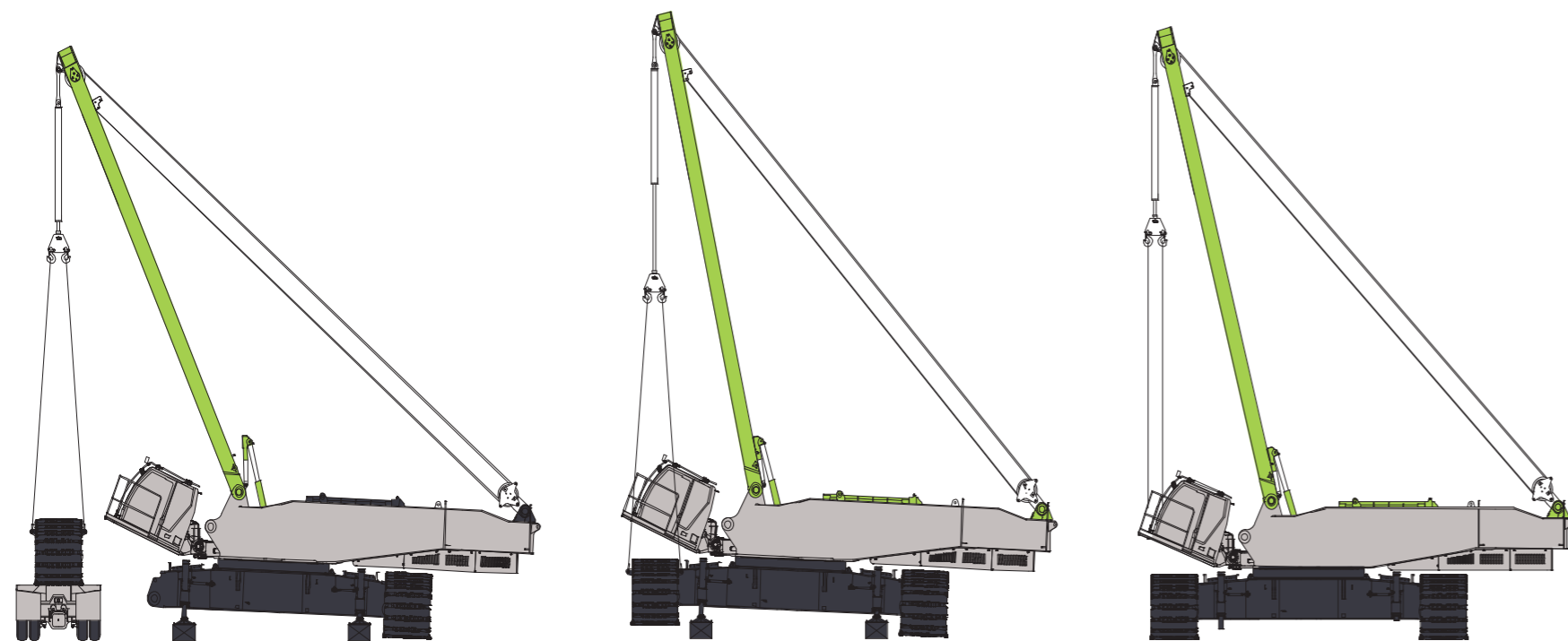
SELF ASSEMBLY SYSTEM

SELF ASSEMBLY SYSTEM



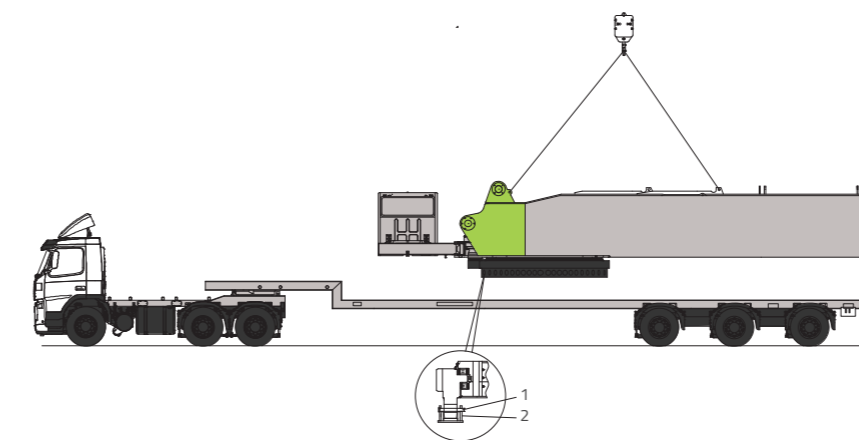
SELF ASSEMBLY SYSTEM

SELF ASSEMBLY SYSTEM

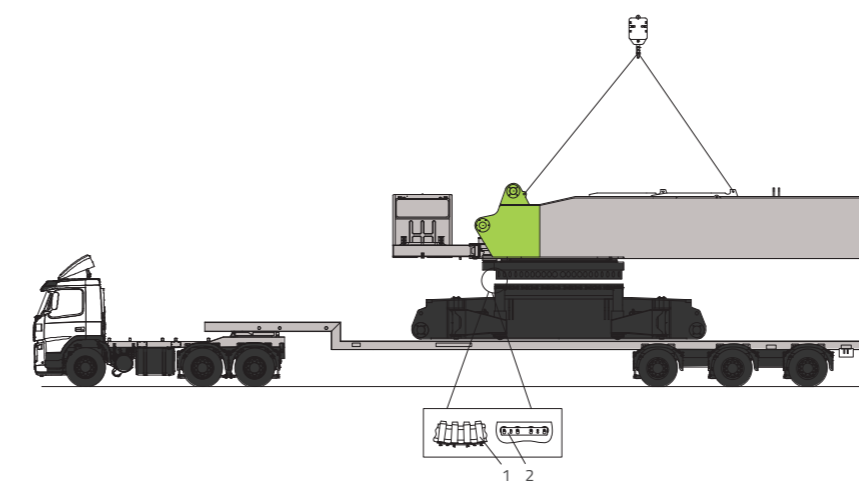


SELF ASSEMBLY SYSTEM

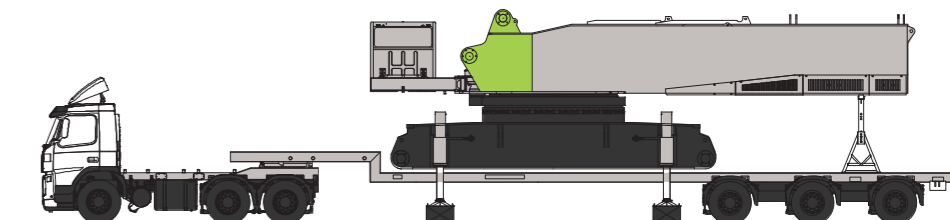
UNLOAD THE UPPER STRUCTURE



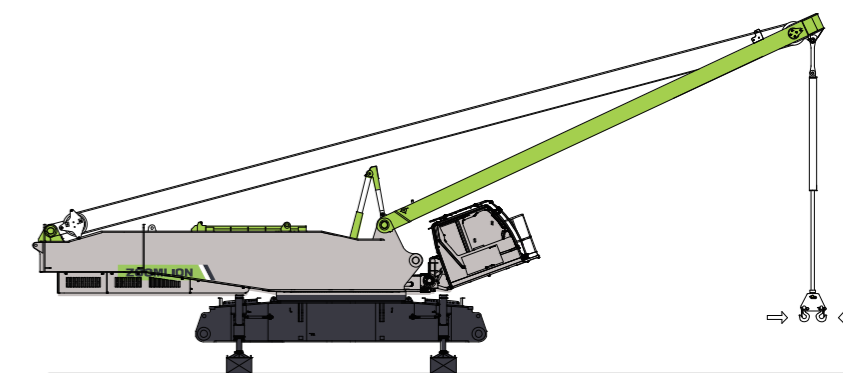
CONNECT THE UPPER AND LOWER STRUCTURE



UNLOAD THE BASIC MACHINE

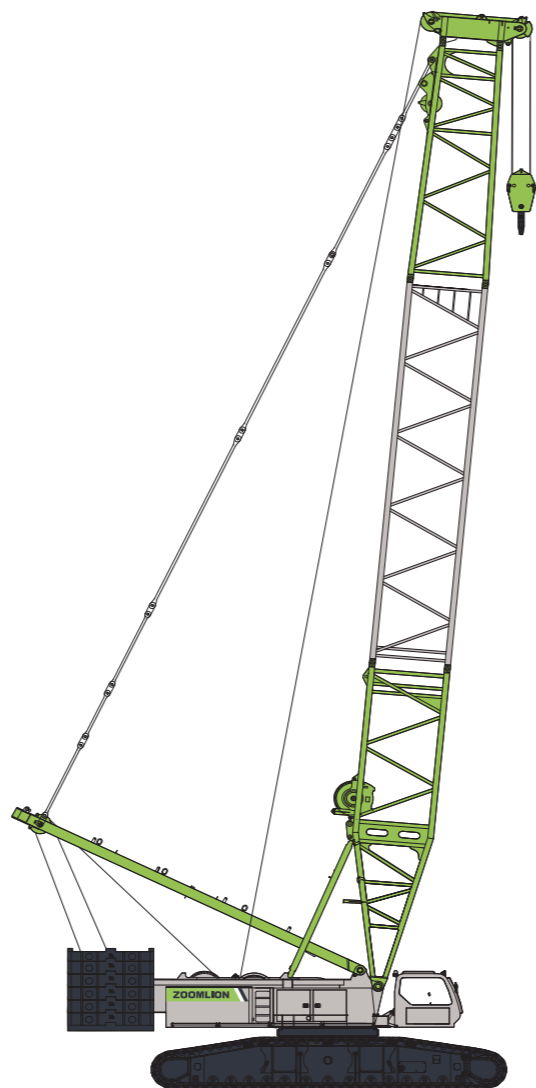
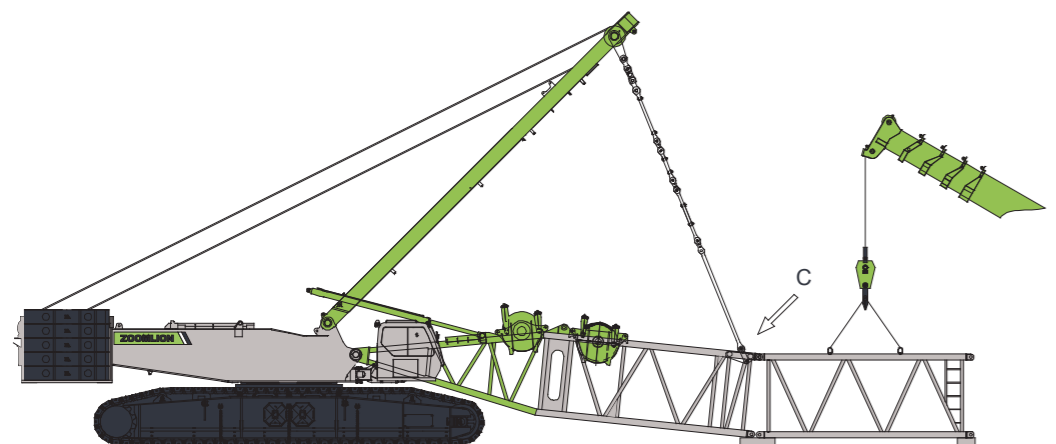
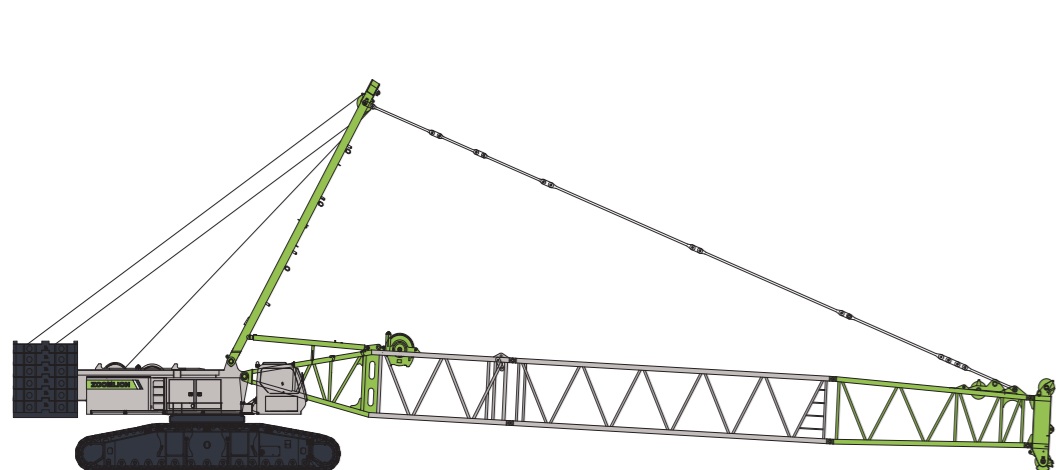


TURN OVER THE MAIN MAST



SELF ASSEMBLY SYSTEM

ASSEMBLY OF MAIN BOOM



SELF ASSEMBLY SYSTEM

ASSEMBLY OF WIND POWER JIB

